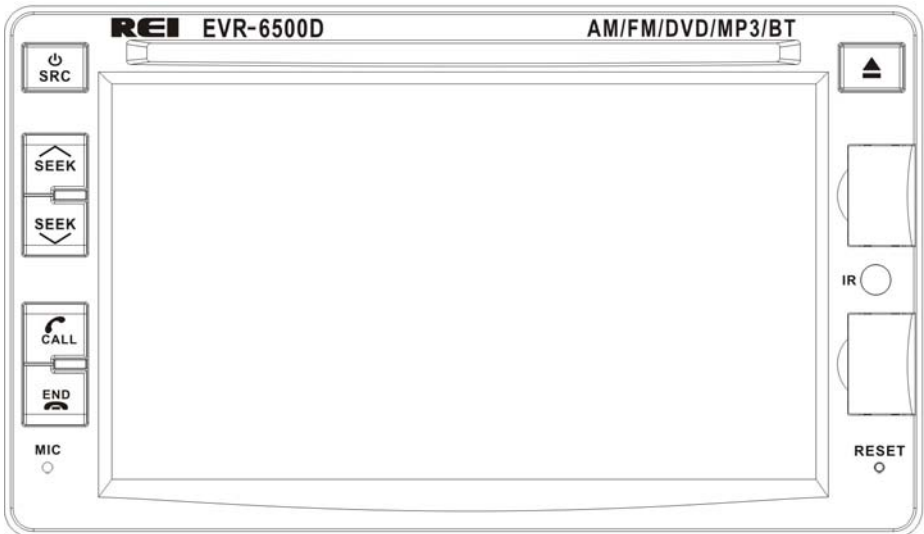


# REI

**6.2" Touch Screen AM/FM Multimedia Receiver with CD/DVD,  
USB, iPod®, Auxiliary A/V Inputs, & Bluetooth® Audio Streaming**



Installation/ Operation Manual

## **EVR-6500D**

Thank you for purchasing the 6.2" Touch Screen AM/FM Multimedia Receiver from REI. This product is designed and tested to with stand temperature and vibration extremes. Please read the owner's manual carefully before attempting to install this unit.

If you have an installation question or need installation assistance, please call the:

**SERVICE HOT LINE**  
**1-877-726-4617 Toll Free USA & CANADA**

**IF ADDITIONAL INSTALLATION COMPONENTS ARE NECESSARY, CONTACT YOUR REI SALES REP FOR:**

- \*\* OEM /FACTORY WIRING HARNESS ADAPTERS**
- \*\* ANTENNAS & ANTENNA ADAPTERS**
- \*\* SPEAKERS & GRILLS**

**Radio Engineering Industries, Inc.**

6534 "L" Street  
Omaha, Nebraska 68117  
(800)228-9275

[www.radioeng.com](http://www.radioeng.com)

Your player will play commercial DVDs with region code  labels on them.

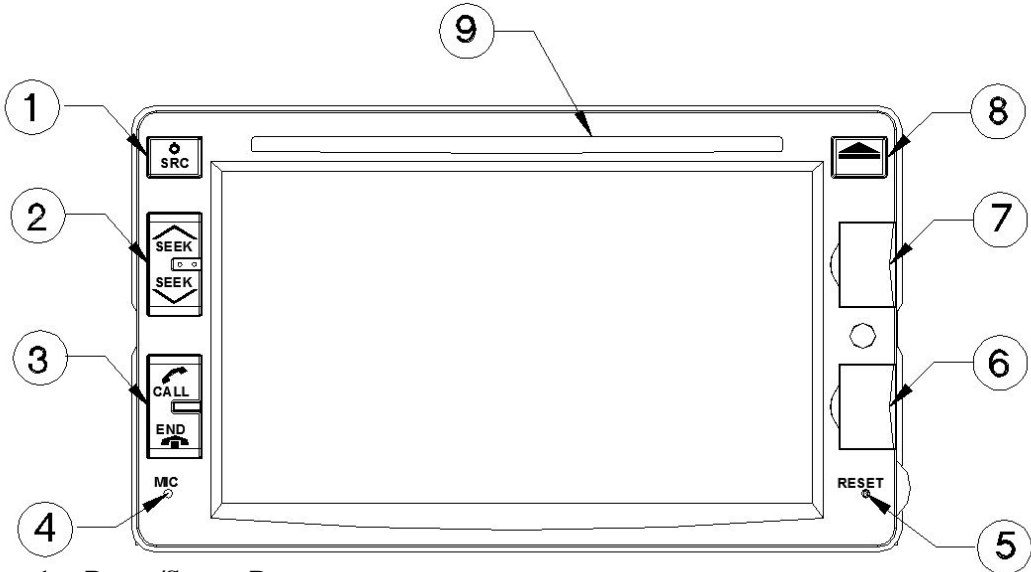
**FEATURES:**

6.2" Touch Screen Operation  
Electronic AM/FM Stereo Tuner  
Preset Up to 30 Radio Stations (18 FM, 12 AM)  
EURO and USA frequency bands  
Rear A/V RCA Inputs  
Supports USB & microSD memory cards  
MP3/WMA playback w/ ID3 Tag Support  
MPEG-1/MPEG-2/MPEG-4/ & DIVIX playback  
iPod® /iPhone® Playback Control  
CD/DVD Playback  
Back-up Camera input  
Bluetooth® audio Streaming w/ support for Hands Free calling  
RCA Composite video Output

# CONTENTS

Front controls and Indicators.....	4
Home Screen.....	5
General Setup.....	6
Navigation Path.....	9
Setting the Time.....	10
Changing the Background.....	10
Connecting a Bluetooth® Device.....	11
Bluetooth® Operation.....	12
Recent Calls.....	13
Bluetooth® Setup.....	13
Phone book.....	14
Bluetooth® Audio Streaming.....	15
AM/FM Operation.....	16
USB/microSD/CD media.....	17
iPod®/iPhone® Operation.....	18
DVD Operation.....	19
DVD Setup.....	22
Back-up Camera Operation.....	27
File Requirements.....	27
Remote Control.....	28
Troubleshooting.....	30
Radio Dimensions.....	30
Radio Installation.....	31
Radio Removal.....	33
Electrical Connections.....	34
Specifications.....	35

## FRONT CONTROLS AND INDICATORS



### 1. Power/Source Button

Press and HOLD the Power Button to turn the unit ON or OFF. Press this button to return to the home menu screen.

### 2. Seek/Track Buttons

Press either to change stations, tracks, or chapters.

### 3. Bluetooth® Phone Control Buttons

Press CALL button to Place or Answer a call.

Press the END button End Bluetooth® connected calls.

### 4. Bluetooth® Microphone

Internal microphone for Bluetooth® calls. (CURRENTLY NOT AVAILIABLE).

### 5. Reset Button

Press to reset system settings to factory default.

### 6. Front Panel mini-B USB input

Connect to USB memory for playback of music/video files.

### 7. Front Panel microSD Inputs (RIGHT SIDE SLOT IS RESERVED FOR FUTURE USE ONLY)

Connect to microSD memory for playback of music/video files.

### 8. Disc Eject button

Press to eject a disc.

### 9. Disc Slot

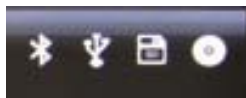
Insert CD/DVD disc here.

## HOME SCREEN

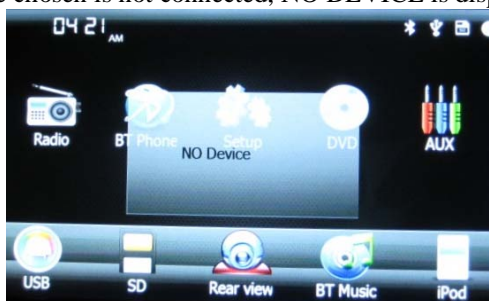
From the HOME screen you can use the touch screen to change the source. To access the HOME screen, touch the HOME button in top left corner of the screen or press the SRC button. Touch either the Radio, BT Phone, Setup, DVD, AUX, iPod®, USB, SD, Rear View, or BT Music to change to the corresponding source.



The upper right hand icons shown below, will change color to RED when the corresponding source is connected to the Radio.



If the source chosen is not connected, NO DEVICE is displayed.



## GENERAL SETUP

Press the SETUP icon to access the General Setup Pages, page 1 is below:



General Setup Pages 2 is below:



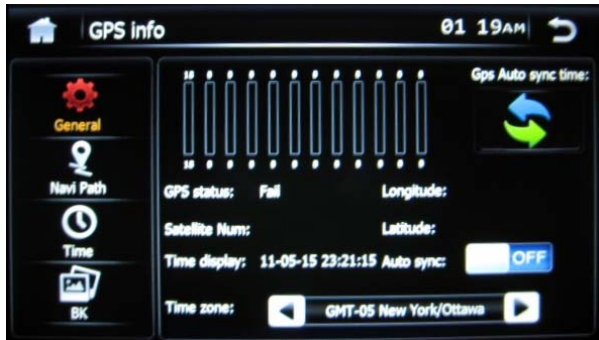
Use the up/down arrows on the right side of the page to access the desired options. The general Setup options include:

- 1) **OSD TIME ON/OFF**  
Switches the clock display ON/OFF when is enabled video on the front panel.
- 2) **CAMERA MIRROR ON/OFF**  
Reverses the input image from the Back-up camera input.
- 3) **GPS MIX ON/OFF**  
Reserved for future use only.

#### 4) **GPS INFO**

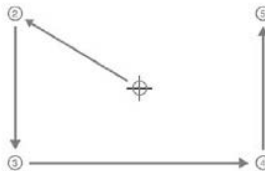
Screen displays the current GPS location status, if GPS is installed.

If auto SYNC is set to on, the GPS will automatically update the clock setting on the RADIO, and NOT allow the user to manually set the clock. To manually set the clock, verify that AUTO SYNC is set to OFF first.



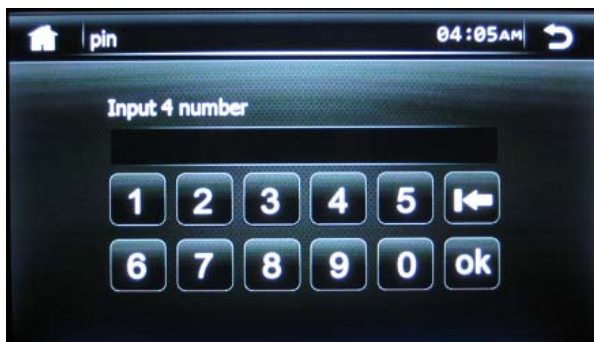
#### 5) **CALIBRATE SCREEN**

Touch only the crosshairs as it changes locations to calibrate the touch screen.



#### 6) **FACTORY SET**

Screen allows access to Factory setup options. The user must press pin numbers 3368 then OK to enter. Settings made here are saved during a master reset.



Within the Factory set options, the following options can be changed:



a. **LOGO SET**

The user can change the initial logo screen to a custom 800\*480.bmp file using a microSD card. Select the SD icon, then choose the image.



b. **VOLUME BALANCE**

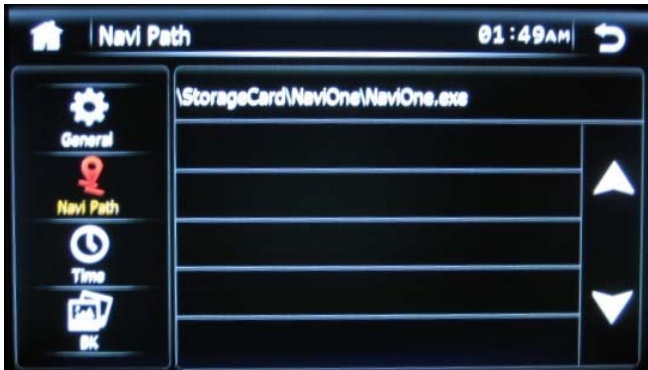
Adjusts the gain settings of the source. Recommended settings are below. Exceeding these settings may result in clipping or overdriving the signal levels. Use the arrows to adjust the desired setting if necessary.





- c. **IPOD® ENABLE**  
Turns the iPod® playback control icon ON/OFF in the HOME screen.
  - d. **RADIO AREA**  
Use the arrows to select the region of operation for the AM/FM tuner. Choices include USA, LATIN, EUROPE, OIRT, & JAPAN.
  - e. **CAMBRIGHT**  
Use the arrows to select the desired backlight brightness level of the Back-up camera image.
  - f. **NAVIGATION (Reserved for future use)**  
Turns the Navigation icon ON/OFF in the HOME screen.
- 7) **VERSION**  
Displays the current firmware on the Multimedia player.
  - 8) **BACKLIGHT SET**  
Allows the user to customize the backlight brightness settings of the screen Depending on the time on the clock.
  - 9) **BT ENABLE ON/OFF**  
Turns the Bluetooth® Discovery mode on the player ON or OFF.

**NAVIGATION PATH (Currently Reserved for future use)**



## SETTING THE TIME

Touch above or below the highlighted area of the screen, then slide to move settings either up or down.



## CHANGING THE BACKGROUND

Touch the desired background image on the screen to change. If the user has a custom image, it must first be loaded onto a microSD card with a resolution of 800\*480 and saved as a .BMP file. Then press the SD icon on the bottom of the page to access the custom image files on the card, and select from available images.

### NOTE

The microSD card must be present at all times for continuous use.



## CONNECTING A BLUETOOTH® DEVICE

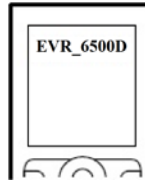
To connect your Bluetooth® device to the Radio, the device must first be paired. You will need to verify that “BT Enable” is set to ON (See SETUP page 6), and verify the passkey on the Radio to complete the pairing. (See BT SET page 13).

### Pairing the Your mobile device with the Head Unit

Your mobile phone can initiate a search for new devices and pair to the unit. The following paragraph describes the pairing process:

***NOTE: Procedures for pairing mobile phones may vary slightly from manufacturer to manufacturer.***

1. Verify that the Radio is powered up and ON.
2. Set the Bluetooth® function of the Mobile Device to ON.
3. Access the” Look for devices” feature of the Mobile device and begin searching. After searching, the Radio should appear in the list of devices as REI\_ELITE. Press to accept.



4. A prompt to bond should appear on your Mobile device. Press to accept and continue the process. The device will then ask for the passkey, enter it on the mobile device.

***NOTE: Some mobile devices require the passkey to connect. If your mobile device requires the passkey, you will need to enter it now. The default code for the Radio unit is “0000”.***

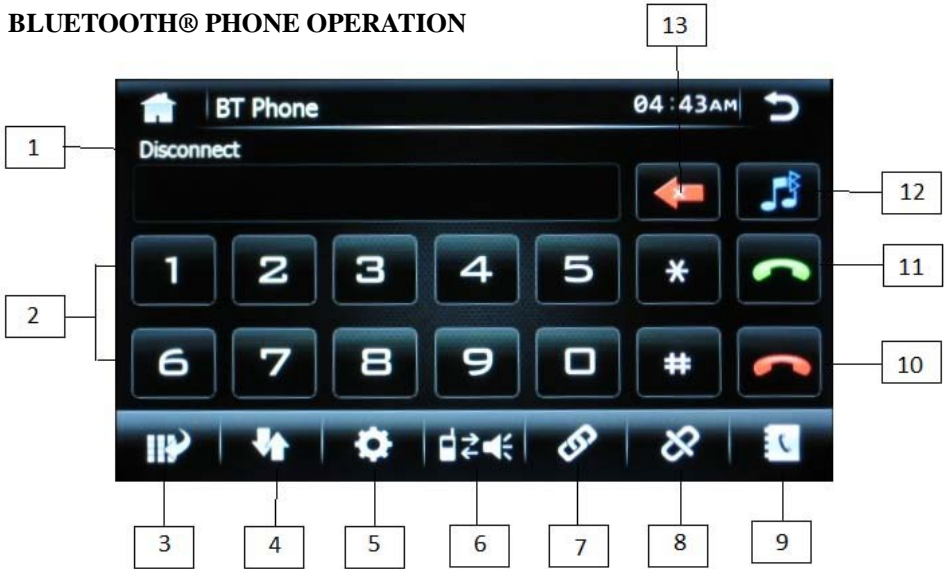


5. After entering the passkey, press OK. The Mobile device should display connected. The Radio’s Bluetooth® icon in the upper right hand corner of the HOME page should change to RED indicating this also.

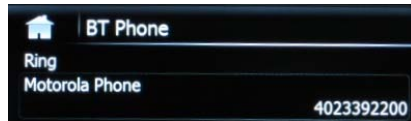
### **NOTES:**

- ***Only ONE mobile device can be paired with the Radio at a time.***
- ***Once a paired Mobile device is disconnected, changing the passkey will NOT disable the device from reconnecting. Turn BT OFF to disable any unwanted Bluetooth® devices. When set to ON, the Radio is always in discovery mode.***
- ***After turning off the ignition, the Radio will automatically search for the last-connected Bluetooth® device, and if possible, restore the connection.***
- ***This Radio does NOT support HSP (Head Set Profile)***

## BLUETOOTH® PHONE OPERATION



1. **Bluetooth® Status:** Displays the connection status of the Radio and the incoming or outgoing phone number. The connected Phone ID is also displayed, an example is below using a Motorola phone:



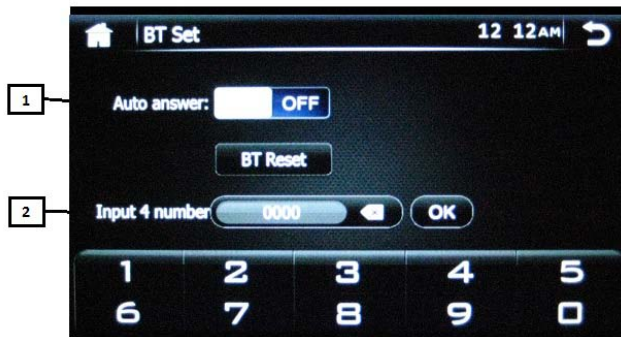
2. **Number Keys:** Touch 0-9,\*, # to enter the phone number you wish to dial.
3. **Redial button:** Touch to automatically redial that last number.
4. **Recent calls:** Press to access the call history page.
5. **BT Set:** Press to access the Bluetooth® setup page.
6. **Transfer button:** Press to transfer audio controls between the radio and phone.  
NOTE: If no audio is present after the call is answered, press this button to transfer the call back to the phone.
7. **Link button:** Press to connect to a previously paired device.
8. **Disconnect button:** Press to disconnect from a previously paired device.
9. **Phonebook button:** Press to access the contacts of the paired device.
10. **Call End/Ignore button:** Press to End a connected calls.
11. **Answer/Place Call button:** Press to Place or Answer an incoming call.
12. **Bluetooth® Music shortcut button:** Press to change the mode to Bluetooth® steaming music.
13. **Delete button:** Press to delete the last digits entered in the display.

## RECENT CALLS



1. Display a list of all **INCOMING** calls.
2. Displays a list of all **OUTGOING** calls.
3. Displays a list of all **MISSED** calls.
4. Press to **DELETE** all calls in the list.
5. **SCROLL UP/DOWN** to access addition pages on the list.

## BT SET



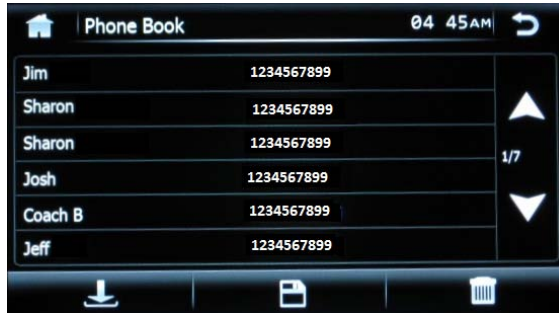
1. **Auto Answer:** Turns the Auto Answer feature of a paired Bluetooth® phone ON or OFF. When set to ON, the radio will automatically answer all incoming calls.
2. **Input 4 number:** This is the customizable PASSKEY necessary to pair a Bluetooth® device. NOTE: If the number is changed, it does NOT affect previously paired devices.

## PHONEBOOK BUTTON

Accessing the Phonebook menu, the user has the following options:



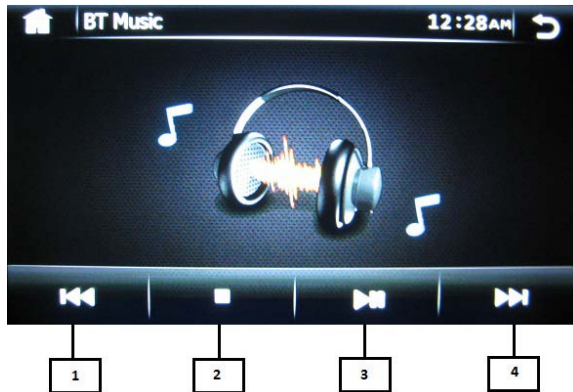
1. **REQUEST** contacts of the connected device.
2. **SAVE** the contacts list into the radio's memory.
3. **DELETE** the current list of Contacts



After accessing the list of contacts, simply scroll Up/Down and press the screen on the desired contact. The number will display in the Status window, but the number will not be dialed until the Place Call Button is pressed.

## **BLUETOOTH® STREAMING AUDIO BUTTON**

The unit allows you to play back audio files from your mobile device using a Bluetooth® connection. The Radio can control a Bluetooth® audio player via Advanced Audio Distribution Profile (A2DP) or Audio/Video Remote Control Profile (AVRCP). Bluetooth® audio players (or Bluetooth® adapters) compatible with these profiles can be connected to this Radio. Verify the device is connected via Bluetooth®, or follow the pairing a device procedure found earlier in the manual to connect. Touch the BT Audio icon from the HOME screen or the shortcut icon on the BT Phone screen.



Press the **PLAY** icon on the screen and verify audio is present. While listening to audio the following functions are available:

1. **PREVIOUS** button: Touch to play the previous track.
2. **STOP** button: Press to stop playback.
3. **PLAY/PAUSE** button: Touch to pause playback. Touch again to resume playback.
4. **NEXT** button: Touch to play the next track.

### **NOTE:**

When there is an incoming call, the song will be paused. After the incoming call is finished, the screen will return to the music function screen and playback will continue.

Functionality may vary depending on the profile or device used.

## AM/FM OPERATION



1. **Home button:** Press to return to the HOME screen.
2. **Tune DOWN button:** Press to tune to lower radio frequencies.
3. **Preset Memory/Recall button:** Press momentarily to select the displayed preset station. Press and hold any button to preset the current station to the button being pressed.
4. **ST/MONO button:** Press to turn FM stereo reception ON/OFF.
5. **LOC/DISTANCE button:** Press to adjust the tuner SEEK sensitivity to select weaker or strong station only.
6. **AS/PS button:** Press and hold this button for 2 seconds to auto program available stations into the preset memory buttons. This function will erase previously memorized stations and store the newly searched stations. Once completed, the radio will scan for 5 seconds through each of the preset stations of either the AM or FM band and stop. Press this button momentarily to scan only the presets.
7. **SCAN button:** Press this button to automatically preview all radio stations for 5 seconds.
8. **AM button:** Press this button to change to AM frequency. This provides access to AM1 and AM2 presets.
9. **FM button:** Press this button to change to FM frequency. This provides access to FM1, FM2, and FM3 presets.
10. **SEEK button:** Press this button to change the tune operation on the touch screen to SEEK tune mode.
11. **MANUAL button:** Press this button to change the tune operation on the touch screen to MANUAL tune mode.
12. **Tune UP button:** Press to tune to higher radio frequencies.
13. **RETURN button:** Press to return to the previous screen.
14. **CLOCK DISPLAY:** Displays the current time.
15. **SOURCE indicator:** This section displays the current operational mode.



## USB/microSD/CD Media Operation

Insert a USB/micro SD/ or CD into the radio and it will automatically switch to this input and begin playback of compatible media files. If in any other source, press the HOME button and change the source to USB to begin playback. If ID3 tag information is present, it will display automatically on the front LCD as shown below:



The playback screen allows access to the follow:



1. **Spectrum Analyzer View:** press to playback with this view.
2. **Info button:** press to playback with this view.
3. **LIST media files:** press to view all available files. After pressing this button, the icons on the left side of the menu gives the user playback control of the available file formats on the media. Select the title by pressing the corresponding filename on the screen.



SELECTS ONLY AUDIO TRACKS



SELECTS ONLY VIDEO TRACKS



SELECTS ONLY IMAGE FILES

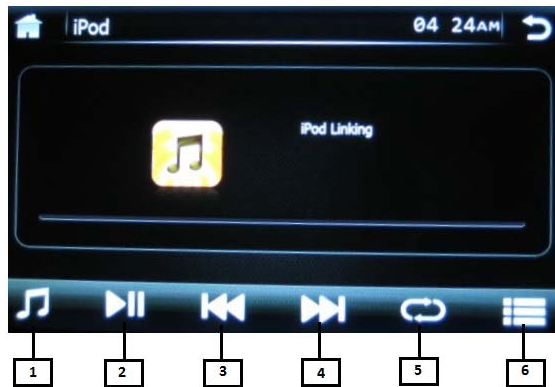
4. **PLAY/PAUSE** button: Touch to pause playback. Touch again to resume playback.
5. **PREVIOUS** button: Touch to skip to the previous track or chapter. Hold for 1 second then release to rewind by x2, x4, x8, x20, or PLAY
6. **NEXT** button: Touch to skip to the next track or chapter. Hold for 1 second then release to advance by x2, x4, x8, x20, or PLAY
7. **EJECT** button: Touch to EJECT disc from slot if present.
8. **REPEAT** button: Touch repeat by, Track, Folder, All, or turn repeat OFF

**\*\*Note: The Radio's USB port does not support the Apple iPod® or iPhone®.**

### **iPod®/iPhone® OPERATION**

To listen to audio through your apple device, verify that the Black 30-pin extension is connected to the pigtail on the rear of the radio. Next, connect the 30-pin cable to the Apple device. Once connected, the radio will automatically switch the source to iPod®. When connected, you can control your device via touch screen, and access Playlists, Artists, Albums, etc.

To return to the iPod® source from any other source menu, touch SRC on the front panel until the HOME menu appears on the screen. Choose the iPod® icon from the source menu.



1. **NOT USED:** Reserved for future use
2. **PLAY/PAUSE** button: Touch to pause playback. Touch again to resume playback.
3. **PREVIOUS** button: Touch to skip to the previous track. Hold to manually scan backwards.
4. **NEXT** button: Touch to skip to the next track. Hold to manually scan forwards.

5. **REPEAT** button: Touch to repeat current track, all tracks, or to turn repeat off.
6. **LIST** button: Touch to return back to the previous detail screen. Or continue pressing to reach the search menu.

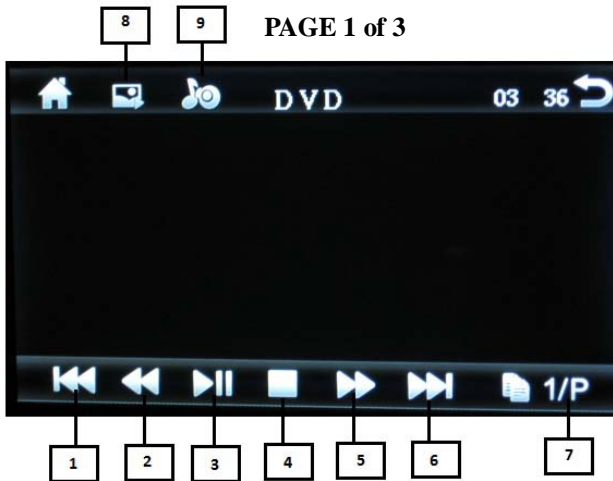
The Search Menu allows you to search for Playlists, Artists, Album, Genre, Song, or Composer.



Press the screen to select the desired category to search from.

### DVD Operation

Insert a Disc into the top disc slot and disc play begins automatically. You cannot insert a disc if there is already a disc in the unit or if the Radio is off. To access DVD Mode from another SOURCE, switch to the HOME screen by either pressing SRC on the front panel, or the HOME icon. Then press the DVD icon on the screen. A blank control screen will be shown for playback control. The screen will not display video unless the BROWN HANDBRAKE wire is correctly installed, and the vehicle is in park.



1. **PREVIOUS CHAPTER:** Press to skip to the PREVIOUS chapter.
2. **REWIND:** Press REW rapidly x2, x4, x8, or x20
3. **PLAY/PAUSE** button: Touch to pause playback. Touch again resume playback.
4. **STOP:** Press to stop playback.
5. **NEXT CHAPTER:** Touch to skip to the NEXT chapter.
6. **FAST FORWARD:** Press FF rapidly x2, x4, x8, or x20
7. **PAGE:** Shows the current page, press to access the next pages.
8. **DISPLAY SETTINGS:** Press to access the video settings of the front panel during playback
9. **PRESET EQ:** NOT USED

**PAGE 2 of 3**



1. **TRACK DISPLAY:** Displays statistical disc information during playback. Continue pressing to access:



Current Title / Total Titles

Current Chapter / Total Chapters for Current Title

Title Elapsed Time



Current Audio Language / Total Audio Languages Available

Current Subtitle Language / Total Subtitle Languages Available

Video Angle

2. **AUDIO:** Changes the language on multi-language DVD discs.
3. **REPEAT:** Switch the repeat mode
4. **MENU:** Displays the root menu that is stored on the DVD disc.
5. **SUBTITLE:** Changes the subtitle language on multi-subtitle DVD discs.
6. **ZOOM:** press to Zoom in by 2X, 3X, 4X, 1/ 2, 1/3 or 1/4.
7. **PAGE:** Shows current page, press to access the next page

**PAGE 3 of 3**



1. **MUSIC FILES:** Press to access music files on the media.
2. **IMAGE FILES:** Press to access images files on the media.
3. **VIDEO FILES:** Press to access video files on the media.
4. **EJECT:** Eject button.
5. **NAVIGATION CONTROLS:** Press to access GUI controls to easily navigate through DVD media.



6. **NUMERIC:** Press to directly access chapters using the number keys.
7. **PAGE:** Shows current page, press to access the next page.

## DVD SETUP

After a DVD begins playing, press the SETUP button on the remote control. There are six setup pages available.

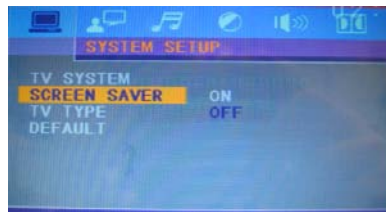
### SYSTEM SETUP MENU



#### TV SYSTEM

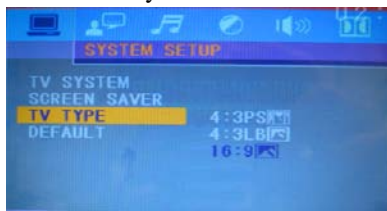
This setting determines the video system of the output signal. Please select the proper signal according to your monitor.

The AUTO option will output the video signal according to current DVD title.



#### SCREENSAVER

This is to enable (ON) or disable (OFF) the screen saver. When the DVD is in the STOP or PAUSE mode, or there is no disc in the slot, the screen saver will be played after 3 minutes of no activity.



#### TV TYPE

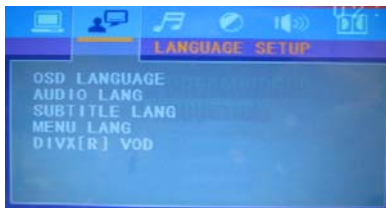
This is to set appropriate aspect (4:3 or 16:9) according to the connected monitor.

1. **4:3PS (for 4:3 TV)** Playback in the PAN & SCAN style. (If wide screen monitor is connected, the left and right edges are cut off.)
2. **4:3LB (for 4:3 TV)** Playback in the letterbox style. (If wide screen is connected, black bands appear at bottom and top of the screen.)
3. **16:9** Select when a wide-screen monitor is connected.



Default

Highlight RESTORE and press ENTER button to restore the system settings to the initial factory settings.



## LANGUAGE SETUP MENU



OSD LANGUAGE

This item sets the default language for the On-Screen Display (OSD) messages. Press ENTER and then to move cursor over the available selections, and press ENTER again to select desired language setting.



AUDIO LANG

This item sets the default language soundtrack for DVD discs.



**SUBTITLE LANG**

This item sets the default SUBTITLE language for DVD discs.



**MENU LANG**

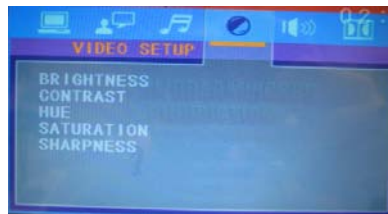
This item is for setting the default MENU language for DVD discs.

**DIVX® VOD**

Not used

**VIDEO SETUP MENU**

Valid for Digital output settings only, NOT USED FOR THIS MODEL



**VIDEO SETUP MENU**





## BRIGHTNESS

This item adjusts the BRIGHTNESS of the video output of the unit.



## CONTRAST

This item adjusts the CONTRAST of the video output of the unit.



## HUE

This item adjusts the HUE of the video output of the unit.



## SATURATION

This item is for adjusting the SATURATION of video output of the unit.

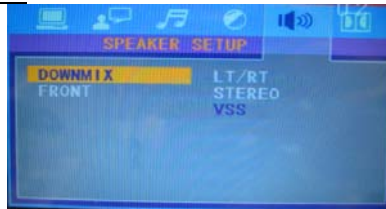


## SHARPNESS

This item is for the SHARPNESS adjustment of the video output of the unit.



## SPEAKER SETUP MENU



### DOWNMIX

This allows users to select the sound effect mode for a 2-channel audio output.

Audio Down mix Modes:

1. **LT/RT** Mixes the signals from center and all left positions into one Mixes the signals from center/rear-right/front-right positions.
2. **STEREO** Mixes the signals from center/rear-left/front-left and rear-right positions. Mixes the signals from center/rear-right/front-right and rear-left positions.
3. **VSS** Virtual Surround Sound



### FRONT

1. **LARGE** Sends all frequencies out the audio output
2. **SMALL** Filters the audio output at 60Hz



## DIGITAL SETUP MENU

\*All settings are reserved for future use

## **BACK-UP CAMERA OPERATION**

The Radio has rear Back-up camera input. You must install the Back-up camera to the BROWN CAMERA RCA input of the Radio. The PINK trigger wire must then be connected to the REVERSE GEAR lamp indicator lead of the vehicle.

When the camera is not installed and the function is accessed by the gear selector being placed in reverse or by the unit's menu, the message "NO SIGNAL" will appear, indicating the function is not available. The picture from the rear view camera appears when the shift lever is set to the R (reverse) position regardless of the Radio's mode. When leaving reverse gear, the unit displays the previous screen. If accessed by the unit's menu, simply tap the screen to exit to the previous source.

### **Note:**

When backing up your car, watch the surroundings carefully for safety. Do not depend on the rear view camera exclusively.

## **AUDIO FILE REQUIREMENTS (.MP3/.WMA using ISO9660 formatting)**

- The MP3 files with a sampling rate of 32, 44.1, or 48 kHz. And a bitrates between 32 to 320 kbps. (44.1kHz/128kbps or higher is recommended)
- The WMA file with a sampling rate of 32, 44.1, or 48 kHz. And a bitrates between 62 to 192 kbps. (44.1kHz/128kbps is recommended)

## **MPEG-4 FILE REQUIREMENTS (.MP4)**

- Profile: MPEG-4 Simple profile
- Bitrate: Max. 7 Mbps on USB FS, 10 Mbps on DVD, 7 Mbps on CD
- Frame rate: Max. 30 fps
- Image size: Max. 800 \*480 pixels
- Audio: Maximum bitrate 320 kbps (AAC-LC)
- File extension: .mp4
- Max File size limit is 2G Fat16

## **DivX® FILE REQUIREMENTS (.AVI)**

- Files encoded with Xvid or divX Profiles, using bitrates of 4854kbps or less, and a resolution of 30fps from 32\*32 to 800\*480

## **MPEG-1/MPEG-2 BITRATES (.MPG)**

- MPEG1: 44.1 kHz/48 kHz/32 kHz
- MPEG2: 22.05 kHz/24 kHz/16 kHz
- MPEG2.5: 11.025 kHz/12 kHz/8 kHz

### **NOTE:**

This Radio does not support playback of aac (.m4a) audio. Individual file size limit is 2G in accordance with Fat16/32 file restrictions.

The Bluetooth® word mark and logos are registered trademarks owned by Bluetooth SIG, Inc. and any use of such marks by REI under license.

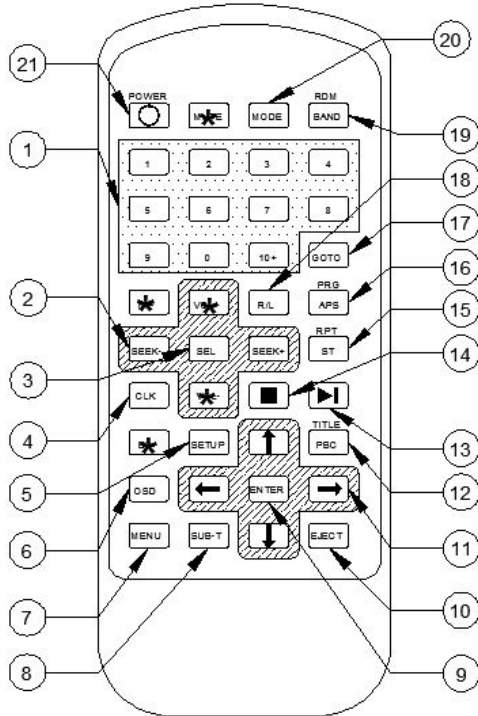


DivX®, DivX Certified® and associated logos are trademarks of Rovi Corporation or its subsidiaries and are used under license. DivX Certified® to play DivX® video, including premium content. Covered by one or more of the following U.S. patents: 7,295,673; 7,460,668; 7,515,710; 7,519,274



iPod® and iPhone® are trademarks of Apple Inc., registered in the U.S. and other countries.

**REMOTE CONTROL**



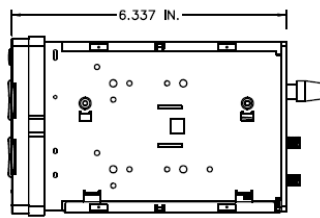
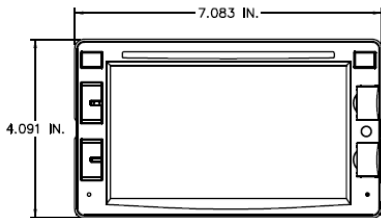
\* DE-NOTES FUNCTIONS NOT USED

1. NUMBER (1-10) BUTTONS  
In radio mode, press number key 1-6 to store up to 6 radio stations. In DVD/USB/microSD mode, press number 1-9 for the desired track. Press 10+ to increment the number by 10.
2. SEEK+/- BUTTONS  
In radio mode, press and hold to SEEK stations. Press and release to change preset stations. In DVD/USB/microSD mode, press and hold to advance x2, x4, x8, or x20. Press to skip chapters.
3. SEL BUTTON (Not used)
4. CLK BUTTON  
Press to access the clock adjust menu.
5. SETUP BUTTON  
Press to access the DVD control settings during DVD disc playback.
6. OSD BUTTON  
Press to access statistical disc information during playback.
7. MENU BUTTON  
Press to access the HOME screen.
8. SUB-T BUTTON  
Press to activate and/or change the SUBTITLE language on multi-subtitle language DVD discs.
9. ENTER BUTTON  
Confirms the track/chapter selected with the numbers keys and with the cursor buttons.
10. EJECT BUTTON  
Press to EJECT the disc.
11. CURSOR BUTTONS  
In menu mode, these buttons move the cursor.
12. TITLE/PBC BUTTON  
During DVD mode, press to return to the disc title menu.
13. PLAY/PAUSE BUTTON  
Press to PAUSE in playback mode, press again to PLAY in pause mode.
14. STOP BUTTON  
In playback mode, press once to pause play, press twice to STOP.
15. ST/RPT BUTTON  
In radio mode, press to switch from ST to MONO. In DVD mode, press to activate REPEAT CHAPTER, REPEAT TITLE, REPEAT ALL, & REPEAT OFF.
16. APS/PRG BUTTON  
In radio mode, press to begin AUTO PRESET SCAN. In DVD mode, press to program the track playing order.
17. GOTO BUTTON  
Press to display the disc status, then enter 0-9 directly and press ENTER to go directly to the selected chapter.
18. R/L BUTTON  
During DVD disc, press to change the AUDIO soundtrack on multi-audio soundtrack DVD discs.
19. BAND/RDM BUTTON  
In radio mode, press to change the frequency. In DVD mode, press to turn RANDOM mode ON/OFF.
20. MODE BUTTON  
Press to change to the next source on the unit.
21. POWER BUTTON  
Press POWER to turn the unit ON or OFF.

## TROUBLE SHOOTING

Problem	Cause	Solution
Unit will not power on.	No power to BATTERY wire or ACC wire, blown 10A main fuse or 1A accessory fuse.	Check for both ACC & BATTERY voltage with Multi-meter, check all fuses.
Cannot tune radio stations.	The antenna cable is not connected. The signal is too weak. The radio is in the wrong frequency AREA.	Connect the antenna cable. Check that the RADIO AREA is set to the correct location.
USB media not playing, or says Invalid File Type.	Media is the wrong file type.	Convert files to a usable format, see file requirements section of the manual.
Cannot stream Bluetooth® audio.	Bluetooth® device was not successfully paired. Verify RED Bluetooth® connected icon.	Pair the Bluetooth® device following the steps in the manual and retry.
Audio is distorted or low.	Source audio level is too weak or overdriven. Bitrate of audio file is too large.	Adjust the volume level of the auxiliary source. Check the VOLUME BALANCE section of SETUP. Change the sample frequency or Bitrate of the file.
iPod® screen displays “iPod Linking” for a long period of time.	iPod® is not a supported device.	Wait for iPod® to load or reconnect 30-pin plug. If still Linking, then device is not supported, use the AUX input or a Bluetooth® connection instead.
Disc's will not play or display loading for an extended period.	DVD-R and DVD-RW will not play unless the disc is finalized after authorizing in software.	Finalize the media before playing in the unit. Verify that the files meet the requirements of the Radio.
Rear view Camera is not displayed	Camera not working or trigger is not connected properly.	Verify camera has power and that the trigger is connected properly.
Touch screen operation is not functioning correctly	Front display is dirty front or requires calibration.	Gently wipe the front display. Enter the SETUP menu and calibrate the screen.

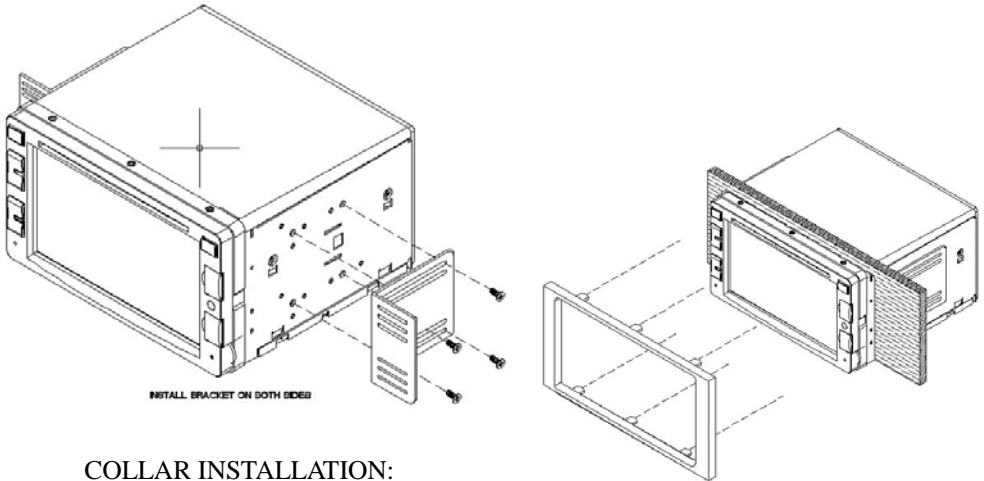
## RADIO DIMENSIONS



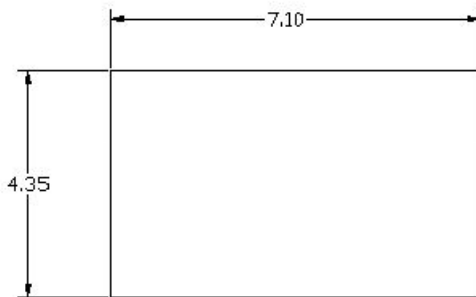
## RADIO INSTALLATION

### ISO INSTALLATION:

For installations that do NOT require the use of the DIN collar. The radio has threaded holes in the chassis side panels for ISO mount applications. If necessary, four M5x10mm screws are included with the hardware pack to assist you.

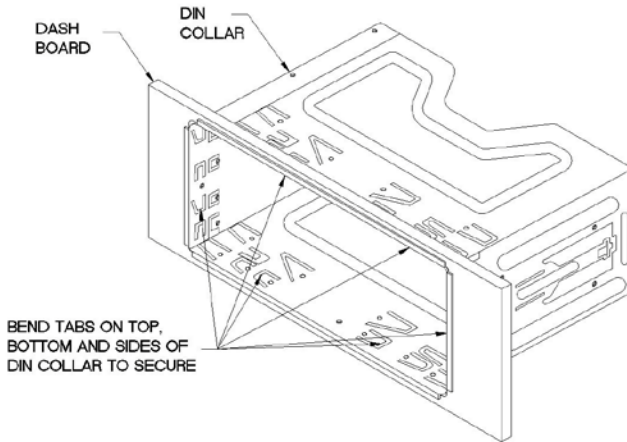


### COLLAR INSTALLATION:

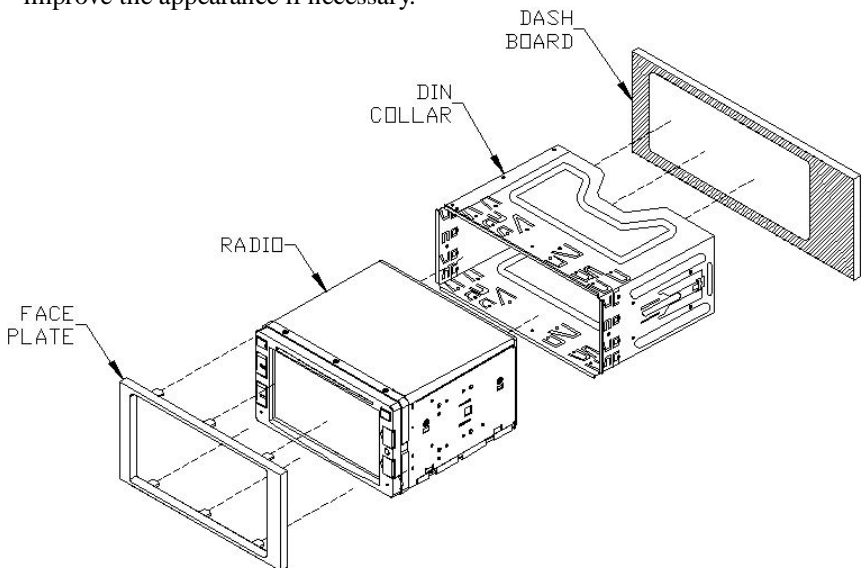


RECOMMENDED CUTOUT DIMENSIONS

Place the DIN collar into the dash opening. Bend the tabs outward as shown on the drawing below to lock into place.

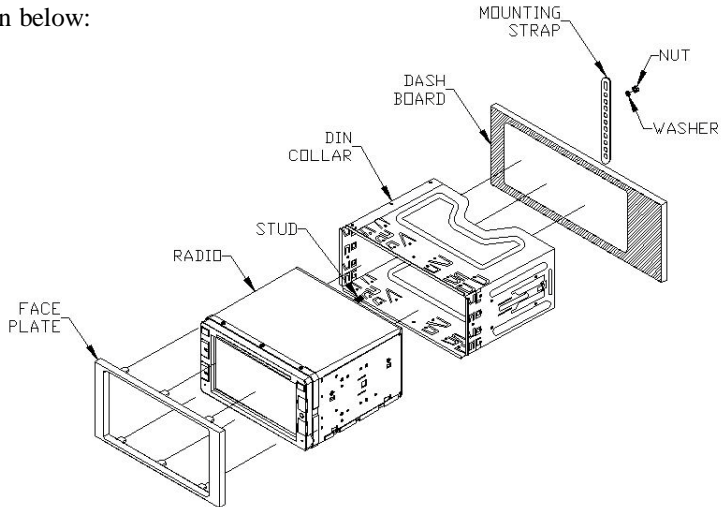


Pass the harnesses and antenna cable through the DIN collar, and connect to the back of the radio. Verify clearance; then gently insert the radio into the DIN Collar until both spring clips are locked into place. A Trim plate is provided to improve the appearance if necessary.

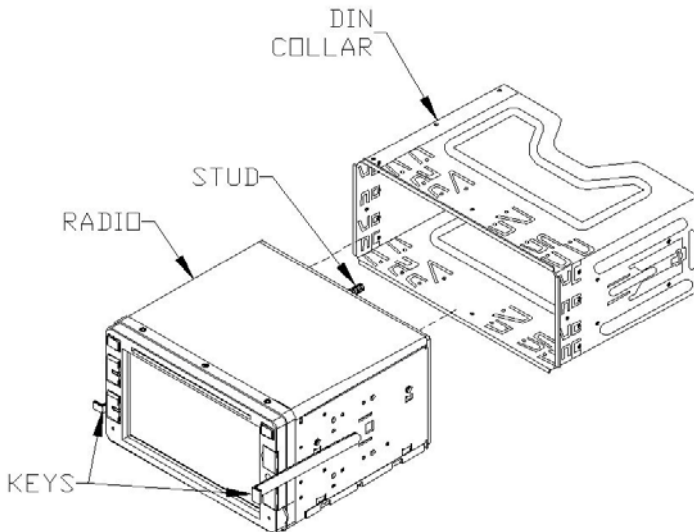




For installations requiring additional support, install a rear support bracket as shown below:

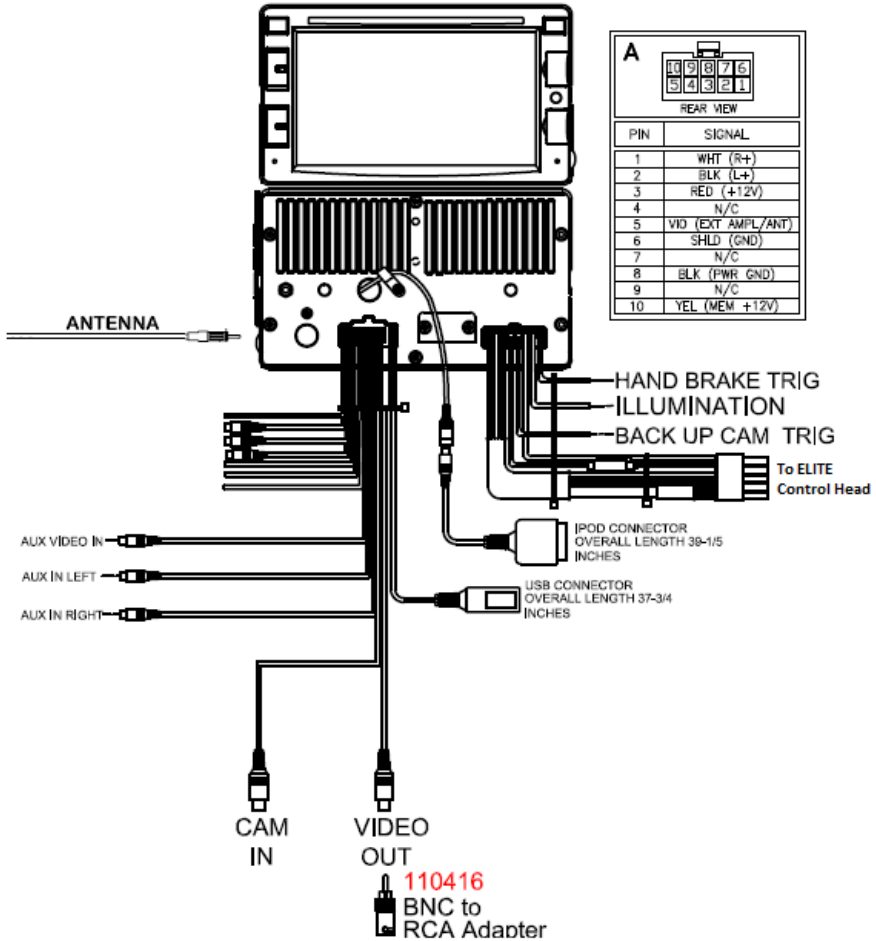


## RADIO REMOVAL



To remove the radio when installed using the DIN collar, remove the Face Plate is installed. Then insert the removal keys in both sides to release the lock clips.

# ELECTRICAL CONNECTIONS



**\*\*An optional USB Panel mount extension is available (P/N 512485), contact an REI sales representative for details**

**Warning:**

For safety reasons, you cannot view a video source on the built-in monitor as long as the vehicle is in motion. This is a violation of federal law. In order to display video, the Brown handbrake Trigger wire of the included harness must be hardwired into the vehicle's parking brake ground circuit, and the vehicle's parking brake must be engaged.

## **SPECIFICATIONS:**

### **General Specifications**

Operating Voltage	(10.0 –15.6V allowable)
Maximum Current Consumption	10A (15mA Standby)
Handbrake Trigger	Ground
Backup Camera trigger	12-24V allowable

### **FM STEREO RADIO**

Frequency range	USA 87.5MHZ – 107.9MHZ (0.2 MHz step) EURO 87.50MHZ –108.00MHZ (0.05 MHz step)
Usable Sensitivity	10.2 dBf. (0.9 uV, 75Ω)
50db Quieting Sensitivity	15.2 dBf. (1.6 uV, 75Ω)
Frequency Response	30Hz – 15kHz (+/- 3dB)
Alternate Channel Selectivity	75dB
Stereo Separation	40dB (1kHz)
Image Rejection Ration	75dB
IF rejection ratio	100dB
Signal to Noise ratio	70dB (stereo)

### **AM RADIO**

Frequency range	USA 530kHz – 1710kHz (10 kHz step) EURO 522kHz – 1620kHz (9 kHz step)
Usable Sensitivity	28 dB/uV (25uV, S/N 20dB)

### **CD/DVD PLAYER**

Signal/Noise Ratio (1kHz)	120dB
Frequency Response (+/- 1dB)	10 – 20,000Hz (+/-1dB)
Total Harmonic Distortion (1kHz)	less than 0.20% (1Khz)
Number of Channels	2 (stereo)
MP3 decoding format	MPEG-1 & 2 Audio layer 3 Ver. 7, 7.1,8,9 (2ch audio)
WMA decoding format	(Windows Media Player)
DivX® decoding format	Home theater Ver. 3,4,5,2,6 Xvid(.avi)
Video decoding format	MPEG-1, & MPEG-2
Max resolution	800*480 (30fps)

## **BLUETOOTH®**

Version	Bluetooth® 2.0 Certified
Frequency Range	2.402 – 2.480 GHz
Output power	+4dBm Max
Profiles supported	HFP 1.5, A2DP 1.2, AVRCP 1.0, & PBAP

## **USB INTERFACE**

USB Standard	USB1.1/2.0 (Full Speed)
Maximum Supply Current	500mA
File System	Fat16/32

## **microSD CARD INTERFACE**

Frequency Response (+/- 1dB)	10 – 20,000Hz
File System	Fat16/32
Dynamic Range	80dB (1kHz)
Harmonic Distortion	0.01%

## **AUXILIARY INPUT SPECIFICATIONS**

Frequency Response (+/- 1dB)	20HZ – 20Khz (+/-3dB)
Input Voltage Maximum Voltage	1200mV
Input impedance	10K $\Omega$

## **VIDEO PLAYBACK**

Format	NTSC/PAL/AUTO
Video Input/Output level	1.0V p-p/75 $\Omega$ (+/-0.2V)

## **GPS**

Frequency Range	L1 (1575.42MHz)
-----------------	-----------------

## **MONITOR**

Screen Size	6.2" Measured Diagonally (16:9 Widescreen)
Resolution	(800*480)

*\*Due to continuous product improvement, specifications and design are subject to change without notice.*

**Radio Engineering Industries, Inc.**

[www.radioeng.com](http://www.radioeng.com)

Rev 0.6      Date: 5-12-15