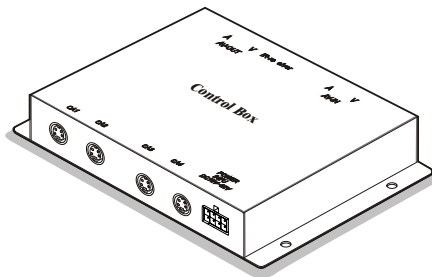


* PLEASE READ CAREFULLY BEFORE USING.

Voyager[®]

CSW5007Q

**MULTI CAMERA CONTROLLER FOR
OBSERVATION MONITOR
(MULTIPLE DISPLAY MODE)**



Doc.Rev (2007/05/07)

* Design and Specifications are subject to change without notice.

Owner's Record

The model and serial numbers are located at the rear.
Record the serial number in the space provided below.
Refer to these numbers whenever you call upon your dealer regarding this product.

Model No.: _____
Serial No.: _____

WARNING

To prevent fire or shock hazard, do not expose the unit to rain or moisture.
To avoid electric shock, do not open the cabinet. Refer servicing to qualified personnel only.



This symbol is intended to alert the user to the presence of uninsulated "dangerous voltage" within the product's enclosure that may be of sufficient magnitude to constitute risk of electric shock to persons.



This symbol is intended to alert the user to the presence of important operating and maintenance (servicing) instructions in the literature accompanying the appliance.

You are cautioned that any changes or modifications not expressly approved in this manual could void your authority to operate this equipment.

INDEX

• FEATURES -----	4
• PRECAUTIONS -----	5
• SYSTEM CONNECTIONS-----	6
• INSTALLATION -----	7
• OPERATIONS -----	8~12
• SPECIFICATIONS -----	13

FEATURES

- CSW5007Q is designed to be compatible with most voyager observation monitors and cameras.

- Input Voltage DC 10V ~ DC 32V
- NTSC / PAL Compatibility
- 4 Camera Inputs / 1 AV Input / 1AV Output
- Multiple Display Mode (Single, Split, Triple, Quad)
- Automatic Picture Display (5 Triggering functions)
- Auto Scanning function
- ON Screen Display Information

PRECAUTIONS

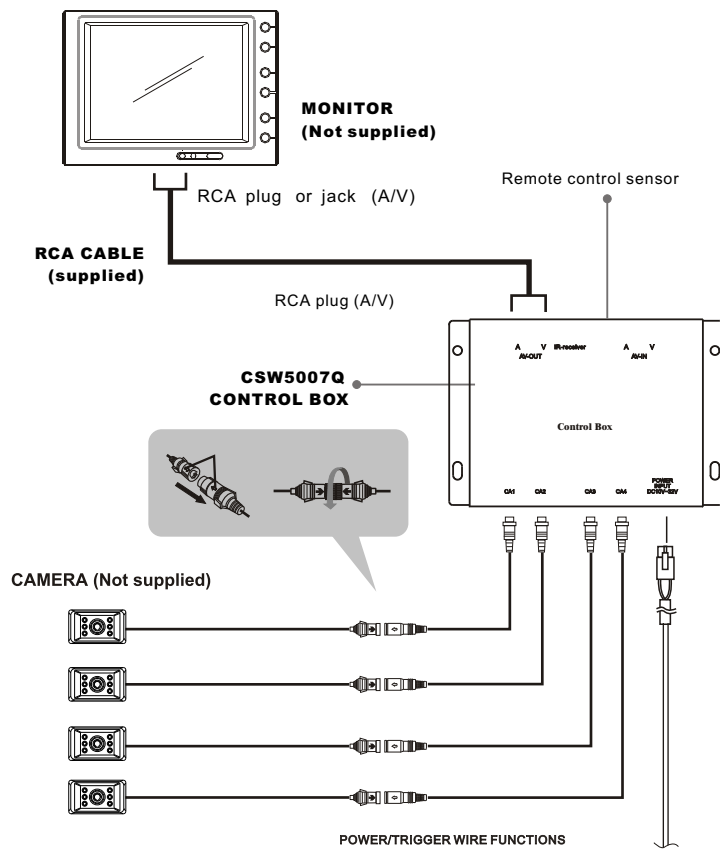
- **Safety**

- Use only DC 10V to 32V.
- In case that dust or liquid was soaked into the case, please turn off power and consult an experienced technician before using.
- Install in a well ventilated area.

- **Installation**

- Do not install the unit in an extremely hot or humid place (radiator, air duct, etc.) or in a place subject to direct sunlight, excessive dust, mechanical vibration or shock.

SYSTEM CONNECTIONS



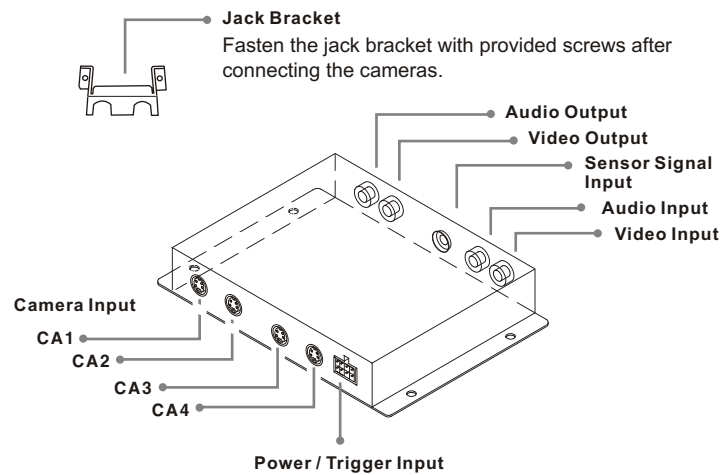
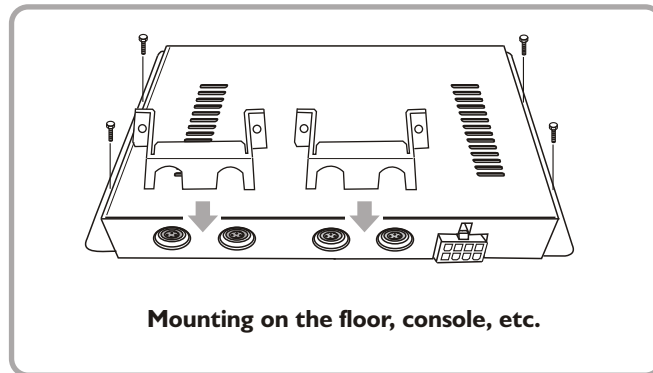
POWER/TRIGGER WIRE FUNCTIONS

REF #	WIRE COLOR	DESCRIPTION
1	RED	POWER IN + 12VDC
2	BLUE	CAMERA/TRIGGER 1
3	BROWN	CAMERA/TRIGGER 2
4	YELLOW	SPLIT SCREEN TRIGGER
5	BLACK	GROUND-12VDC
6	ORANGE	CAMERA/TRIGGER 4
7	GREEN	CAMERA/TRIGGER 3
8	PURPLE*	MONITOR TRIGGER OUT

* This wire connects to reverse wire input (trigger 'ON') for monitor display.
Is intended for trigger only, not for main power supply.

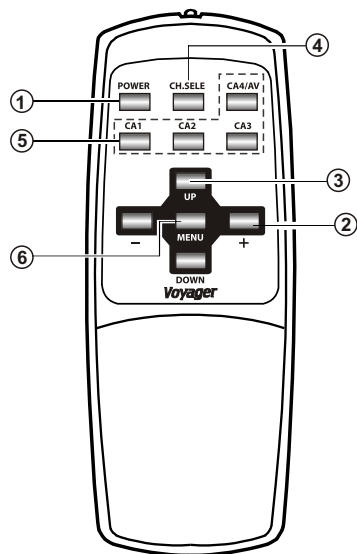
INSTALLATION

- Install the control box on a place which can hold more weight than 5 Kgs (11 lb).
- Fasten the control box with the provided screws as the drawings below.



OPERATION

■ Remote Control



① POWER button

- Press POWER button to turn the control box on or off.

* When the trigger signal is activated, the selected source's image will be displayed on the monitor screen automatically. (Please refer to TRIGGER MODE in SETUP MENU for further information)

② - / + button

- Press - / + button to adjust BRIGHT or CONTRAST level.
- Press - / + button to select the content of the selected line in each sub menu.

③ UP / DOWN button

- Press UP / DOWN button to adjust TILT (PAN) camera position upward or downward.
(Available only when TILT (PAN) camera is connected to CA1, CA2, or CA3 input)
- Press UP/ DOWN button to move the cursor up or down in SETUP MENU and each sub menu.

④ CH. SELE button

- Press CH. SELE button to select the display image.
Sequential press shows the image of each camera in turn below.
(CAM1→ CAM2→ CAM3→ CAM4→ AUX→ SPLIT2→ SPLIT3→ SPLIT4)
* OSD indicates which image is displayed on the screen.

- Press CH. SELE button to select the items, in which the cursor is in menu.
- Press CH. SELE button to start or stop scanning each display mode sequentially.
Available only when AUTO SCAN in menu is ON.

⑤ CA1, CA2, CA3, CA4/AV button

- Press CA1, CA2 or CA3 button to select each camera.
- Press CA4 / AV button to select CA4 and press again to select any AV device connected.

OPERATION

⑥ MENU button

- Press MENU button for less than 0.5 second to go to BRIGHT or CONTRAST mode.

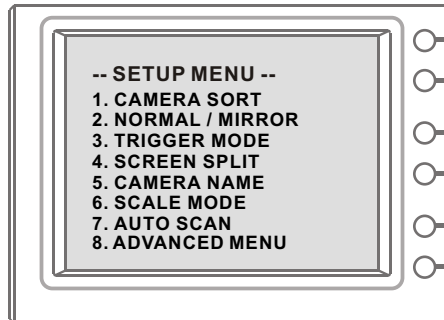
Use - / + button to adjust BRIGHT or CONTRAST level.

(BRIGHT → CONTRAST → BRIGHT...)

- Press MENU button for over 1 second to enter into SETUP MENU.
Use UP / DOWN to move up and down and use - / + button to move left and right in SETUP MENU and each sub menu.
- Press MENU button to go back to the previous menu when in SETUP MENU or each sub menu.

* SELECTABLE OSD MENU DISAPPEARS WITHIN 10 SECONDS IF THERE IS NO NEW INPUT SIGN.

MENU ►► SETUP MENU



1. CAMERA SORT

CAM1 : [NORMAL, SHUTTER, PAN/TILT]
CAM2 : [NORMAL, SHUTTER, PAN/TILT]
CAM3 : [NORMAL, SHUTTER, PAN/TILT]

- Move cursor up or down by pressing UP / DOWN button
- Press CH.SELE button to select CAM1, CAM2 or CAM3
- Select each camera sort by pressing - / + button in the selected camera
- Exit from the menu by pressing MENU button

CAUTION! * CAM4 is only available with NORMAL CAMERA.
* Wrong camera connections may cause any malfunction.

OPERATION

2. NORMAL / MIRROR

CAM1: [NORMAL, MIRROR]
CAM2: [NORMAL, MIRROR]
CAM3: [NORMAL, MIRROR]
CAM4: [NORMAL, MIRROR]

- Move cursor up or down by pressing UP / DOWN button
- Press CH.SELE button to select CAM1, CAM2, CAM3 or CAM4
- Select normal or mirror by pressing - / + button in the selected camera
- Exit from the menu by pressing MENU button

3. TRIGGER MODE

TRIGGER SOURCE
TRIGGER DELAY

- Move cursor up or down by pressing UP / DOWN button
- Press CH.SELE button to select TRIGGER SOURCE or TRIGGER DELAY menu

▶▶ TRIGGER SOURCE

TRIGGER1: [CAM1, CAM2, CAM3, CAM4, AUX, SPLIT2, SPLIT3, SPLIT4]
TRIGGER2: [CAM1, CAM2, CAM3, CAM4, AUX, SPLIT2, SPLIT3, SPLIT4]
TRIGGER3: [CAM1, CAM2, CAM3, CAM4, AUX, SPLIT2, SPLIT3, SPLIT4]
TRIGGER4: [CAM1, CAM2, CAM3, CAM4, AUX, SPLIT2, SPLIT3, SPLIT4]
TRIGGER5: [CAM1, CAM2, CAM3, CAM4, AUX, SPLIT2, SPLIT3, SPLIT4]

- Move cursor up or down by pressing UP / DOWN button
- Press CH.SELE button to select TRIGGER1, 2, 3, 4 or 5
- Select CAM1, CAM2, CAM3, CAM4, AUX, SPLIT2, SPLIT3 or SPLIT4 by pressing - / + button in the selected trigger
- Exit from the menu by pressing MENU button

* When the trigger signal is activated, the selected source's image is displayed on screen.

* TRIGGER PRIORITY : TRIGGER1 > TRIGGER2 > TRIGGER3 > TRIGGER4 > TRIGGER5

▶▶ TRIGGER DELAY

TRIGGER1: [0 ~20 sec]
TRIGGER2: [0 ~20 sec]
TRIGGER3: [0 ~20 sec]
TRIGGER4: [0 ~20 sec]
TRIGGER5: [0 ~20 sec]

- Move cursor up or down by pressing UP / DOWN button
- Press CH.SELE button to select TRIGGER 1, 2, 3, 4 or 5
- Determine each trigger delay time by adjusting - / + button
- Exit from the menu by pressing MENU button

OPERATION

4. SCREEN SPLIT

```
SPLIT 2
SPLIT 3
SPLIT 4
```

- Move cursor up or down by pressing UP / DOWN button
- Press CH.SELE button to select SPLIT2, SPLIT3 or SPLIT4
- Exit from the menu by pressing MENU button

▶▶ SPLIT2

```
SOURCE1:[CAM1,CAM2,CAM3,CAM4]
SOURCE2:[CAM1,CAM2,CAM3,CAM4]
AUDIO : [CAM1,CAM2,CAM3,CAM4]
```

- Move cursor up or down by pressing UP / DOWN button
- Press CH.SELE button to select SOURCE1, SOURCE2 or AUDIO
- Select CAM1, CAM2, CAM3 or CAM4 by pressing - / + button
- Exit from the menu by pressing MENU button

▶▶ SPLIT3

```
SOURCE1:[CAM1,CAM2,CAM3,CAM4]
SOURCE2:[CAM1,CAM2,CAM3,CAM4]
SOURCE3:[CAM1,CAM2,CAM3,CAM4,OFF]
AUDIO : [CAM1,CAM2,CAM3,CAM4]
```

- Set up SPLIT3 or SPLIT4 in the same way with SPLIT2 above

▶▶ SPLIT4

```
SOURCE1:[CAM1,CAM2,CAM3,CAM4]
SOURCE2:[CAM1,CAM2,CAM3,CAM4]
SOURCE3:[CAM1,CAM2,CAM3,CAM4,OFF]
SOURCE4:[CAM1,CAM2,CAM3,CAM4,OFF]
AUDIO : [CAM1,CAM2,CAM3,CAM4]
```

- * Multiple images can be displayed. (DUAL, TRIPLE AND QUAD IMAGES)
- * Only one audio can be chosen in each SPLIT mode.

5. CAMERA NAME

```
CAM1: [CAM1 ]
CAM2: [CAM2 ]
CAM3: [CAM3 ]
CAM4: [CAM4 ]
```

- Move cursor up or down by pressing UP / DOWN button
- Press CH.SELE button to select CAM1, CAM2, CAM3 or CAM4
- Select letter by pressing - / + button sequentially
- Press CH.SELE button to move to the next letter
- Exit from the menu by pressing MENU button

* Each camera can be named and the camera names are displayed on screen.

OPERATION

6. SCALE MODE

CAM1: [OFF, SCALE1, SCALE2]
CAM2: [OFF, SCALE1, SCALE2]
CAM3: [OFF, SCALE1, SCALE2]
CAM4: [OFF, SCALE1, SCALE2]
SCALE 1
SCALE 2

- Move cursor up or down by pressing UP / DOWN button
- Press CH.SELE button to select CAM1, CAM2, CAM3, CAM4, SCALE1 or SCALE2
- Select scale OFF, SCALE1 or SCALE2 by pressing - / + button in each camera
- Exit from the menu by pressing MENU button

* The distance marker of SCALE1 and SCALE2 can be adjusted.

* When the trigger signal is activated, the selected scale is displayed on screen.

7. AUTO SCAN

AUTO SCAN: [ON, OFF]
SCAN CAM1: [0 ~ 20 sec]
SCAN CAM2: [0 ~ 20 sec]
SCAN CAM3: [0 ~ 20 sec]
SCAN CAM4: [0 ~ 20 sec]
SCAN SPLIT2: [0 ~ 20 sec]
SCAN SPLIT3: [0 ~ 20 sec]
SCAN SPLIT4: [0 ~ 20 sec]

- Move cursor up or down by pressing UP / DOWN button
- Press CH.SELE button to select one of AUTO SCAN, SCAN CAM1~4, AUX, SPLIT2~4
- Exit from the menu by pressing MENU button
- Set up the scanning time of each SCAN mode by pressing - / + button if you select ON in AUTO SCAN

8. ADVANCED MENU

NTSC MODE, PAL MODE
AUTO POWER : [ON, OFF]

- Select NTSC or PAL by pressing - / + button to select the right video mode
- Select AUTO POWER ON or OFF by pressing - / + button to select the right operation.
 - * When "AUTO POWER ON" is selected, the unit is powered on automatically without using remote controller.
 - * When "AUTO POWER OFF" is selected, the unit is powered on by using remote controller.
- Exit from the menu by pressing MENU button

SPECIFICATIONS

■ CSW5007Q

Power input	DC 10V~32V
Power cons.	Max. 24 Watt
Video system	NTSC or PAL
Camera input (4 CH)	Mini DIN 4, 1Vp-p72Ω
A/V output (1 CH)	RCA, Composite video signal, 1Vp-p72Ω RCA, Audio signal, 150mV RMS, 47K.
A/V input (1 CH)	RCA, Composite video signal, 1Vp-p 72Ω RCA, Audio signal, 150mV RMS, 47K.
Operating temp.	-10°C ~ +50°C (14°F ~ 122°F)
Storage temp.	-25°C ~ +80°C (-13°F ~ 176°F)
Ambient condition	Indoor use only
Vibration	5.5 G
Dimension	154 (W) X 105 (D) X 28 (H) mm 6.06 (W) X 4.13 (D) X 1.10 (H) inch
Weight	Approx. 0.5 Kg
Supplied acc'y	Power cord 2M (1) Mount Screws (1) Jack Bracket (2) Remote control (1) RCA cable (1) Sensor for remote control (1) Din to voyager Adapter cable (4)

* Design and specifications are subject to change without notice.

Printed In Korea