

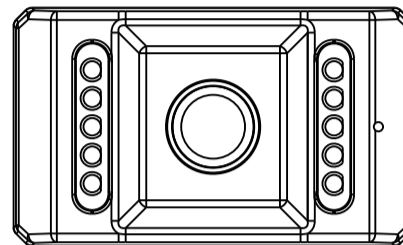
VCMS155/155B-Manual - Draft V1.1- 2015.03.09



NTSC SYSTEM VCMS155/VCMS155B

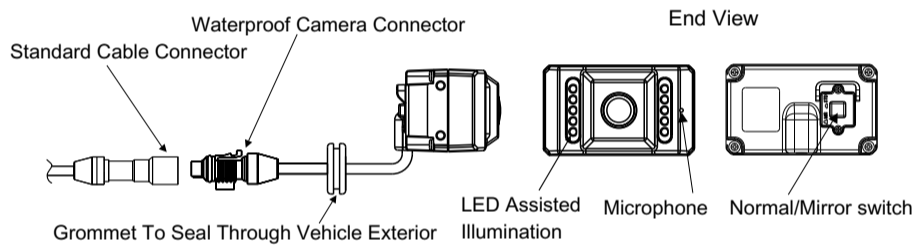
VCMS155/VCMS155B Features:

- High Performance CMOS Sensor
- IR LED Low Light Enhancement
- Waterproof (IP69K)
- Wide View Angle
- Audio microphone
- Normal / Mirror image switch



Contents:
Camera
Bracket
Hardware Kit

Installation and Pin Out:



Specifications

Mounting Type	External type
Image sensor	1/4" CMOS camera
Resolution	420 TV lines
Min illumination	0 Lux (with IR LED ON)
Water resistance	IPX69K
View angle	123°(H), 95°(V), 154°(D)
Dimension	69(W) X 41(H) X 46(D)mm 2.7(W) X 1.6(H) X 1.8(D)Inch
Working temperature	-30°C ~ +80°C
Weight	Approx. 0.29kg / 0.64lbs

Camera to bracket hardware

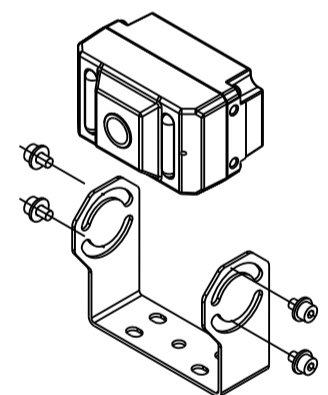
Specifications	Q'ty
Hex Socket Head M4 X 6L Stainless screws	4
Allen	1

Installation

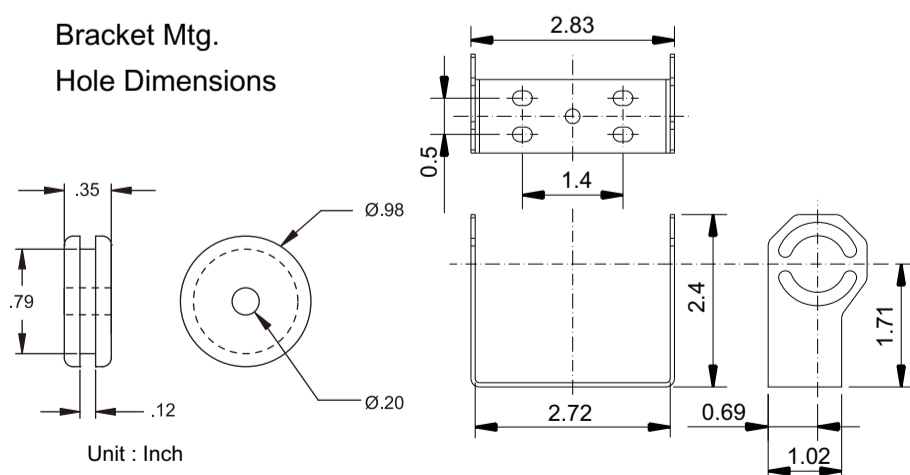
Screw For Use

Hex Socket Head M4 X 6L Stainless screws

Allen wrench



Bracket Mtg. Hole Dimensions



Recommended grommet Hole

